

JUMO GmbH & Co. KG
Delivery address: Mackenrodtstraße 14
36039 Fulda, Germany
Postal address: 36035 Fulda, Germany
Phone: +49 661 6003-0
Fax: +49 661 6003-607
Email: mail@jumo.net
Internet: www.jumo.net

JUMO Instrument Co. Ltd.
JUMO House
Temple Bank, Riverway
Harlow, Essex CM 20 2DY, UK
Phone: +44 1279 63 55 33
Fax: +44 1279 62 50 29
Email: sales@jumo.co.uk
Internet: www.jumo.co.uk

JUMO Process Control, Inc.
6733 Myers Road
East Syracuse, NY 13057, USA
Phone: +1 315 437 5866
Fax: +1 315 437 5860
Email: info.us@jumo.net
Internet: www.jumousa.com



JUMO dTRANS T1000

Temperature sensor with IO-Link

Application

- Process automation
- Machines for the food and beverage industry
- General mechanical and apparatus engineering

Brief description

The temperature sensor is used for temperature measurement and monitoring. The effect of the temperature on a resistance RTD temperature probe generates a signal, which is amplified, digitalized and processed.

The temperature sensor is equipped with an IO-Link interface as per specification 1.1. IO-Link supports bidirectional communication and is used to exchange the process data, parameters, diagnostic information and status messages. The two green LEDs are permanently lit as soon as power is supplied to the device. Once an IO-Link connection is established, the LEDs flash.

The switching behavior and the switching thresholds of the switching outputs (max. 2 pcs.; p or n switching) can be individually configured, as can many other parameters. Any IO-Link master can be used for the configuration.

The temperature sensor is thus suitable for use in plant and mechanical engineering in connections to automation systems. Many process connections are available to the user.



Type 902915

Customer benefits

- IO-Link
 - Multi-vendor point-to-point connection
 - Open standard with maximum transparency to the field level (IEC 61131-9)
 - Inexpensive, pre-fabricated connecting cable (no wiring errors)
 - Simple and uniform wiring and startup thanks to standardized interface
- Industry 4.0: pervasive communication from the control to the sensors
 - Retrieval of process data and diagnostic information
 - Dynamic parameter changes
- More safety during sensor replacement
 - Automatic parameterization possible
 - Replacement with sensors of same type, but with different properties, can be detected
- Optimization of the production process through communication down to the lowest field level
- Reduction of mounting and startup times
- Reduction of maintenance and service costs with simultaneous increase in plant availability

Special features

- Small, compact, robust
- Stainless steel, fully welded
- Various process connections
- Hygienic connections
- Simple startup
- Easy sensor replacement
- Proven accuracy
- Connection via IO-Link master
- LED status display
- Also available as a pressure sensor with IO-Link; see data sheet 402058

JUMO GmbH & Co. KG
 Delivery address: Mackenrodtstraße 14
 36039 Fulda, Germany
 Postal address: 36035 Fulda, Germany
 Phone: +49 661 6003-0
 Fax: +49 661 6003-607
 Email: mail@jumo.net
 Internet: www.jumo.net

JUMO Instrument Co. Ltd.
 JUMO House
 Temple Bank, Riverway
 Harlow, Essex CM 20 2DY, UK
 Phone: +44 1279 63 55 33
 Fax: +44 1279 62 50 29
 Email: sales@jumo.co.uk
 Internet: www.jumo.co.uk

JUMO Process Control, Inc.
 6733 Myers Road
 East Syracuse, NY 13057, USA
 Phone: +1 315 437 5866
 Fax: +1 315 437 5860
 Email: info.us@jumo.net
 Internet: www.jumousa.com



Technical data

Input

Sensor element	RTD temperature probe Pt1000
Standard	DIN EN 60751
Measuring range	902915/10: -50 to +150 °C 902915/30: -50 to +260 °C
Sensor accuracy	Class A, $\pm(0.15 + 0.002 \times \text{Itl})$ °C ^a Class AA, $\pm(0.10 + 0.0017 \times \text{Itl})$ °C ^a
Connection type	Resistance measurement 4-wire
Calibration accuracy of the electronic components	$\leq \pm(0.08 \%)^b$
Ambient temperature influence	$\leq 0.0025 \%/K^b, c$
Measuring current	$\leq 500 \mu\text{A}$
Sampling rate	160 ms
Input filter	Digital filter, 2nd order; filter constant can be set
Galvanic isolation	to the protection tube; no galvanic isolation between sensor and output

^a Itl = temperature value in °C regardless of the prefix sign.

^b All accuracy specifications in % relative to the respective measuring range

^c Relative to the temperature deviation at the calibration point (25 °C \pm 5 K)

Measuring circuit monitoring

Process data invalid	IO-Link event configurable; appears in the process value as an error value
Measuring range overflow	
Measuring range underflow	
Device hardware fault	

Output

Number	1 output in IO-Link operation (output signal according to IO-Link communication standard version 1.1; see section "Interface", page 3) 2 outputs for switch operation (SIO mode; SIO = standard IO)
Switching functions configurable	Hysteresis function or window function N/C or N/O contact Output p switching (PNP) or n switching (NPN) Switch-on/switch-off delay
Switching current	$\leq 100 \text{ mA}$ per output
Voltage drop at switching transistor	$\leq 2 \text{ V}$
Short-circuit proof	Yes (clocked)
Reverse polarity protected	Yes
Current limiting	Yes
Hysteresis	
For hysteresis function	Configurable
For window function	Fixed setting (symmetrical; $\pm 0.25 \%$ of the measuring range)
Switch-on, switch-off delay	0 to 100 s

JUMO GmbH & Co. KG
 Delivery address: Mackenrodtstraße 14
 36039 Fulda, Germany
 Postal address: 36035 Fulda, Germany
 Phone: +49 661 6003-0
 Fax: +49 661 6003-607
 Email: mail@jumo.net
 Internet: www.jumo.net

JUMO Instrument Co. Ltd.
 JUMO House
 Temple Bank, Riverway
 Harlow, Essex CM 20 2DY, UK
 Phone: +44 1279 63 55 33
 Fax: +44 1279 62 50 29
 Email: sales@jumo.co.uk
 Internet: www.jumo.co.uk

JUMO Process Control, Inc.
 6733 Myers Road
 East Syracuse, NY 13057, USA
 Phone: +1 315 437 5866
 Fax: +1 315 437 5860
 Email: info.us@jumo.net
 Internet: www.jumousa.com



Response time	In water 0.4 m/s	In air 3.0 m/s
Protection tube Ø 6 mm (standard)	$t_{0.5} = 5 \text{ s}; t_{0.9} = 12 \text{ s}$	$t_{0.5} = 40 \text{ s}; t_{0.9} = 110 \text{ s}$
Protection tube Ø 6 mm (offset by Ø 3.5 mm)	$t_{0.5} = 2 \text{ s}; t_{0.9} = 5 \text{ s}$	$t_{0.5} = 25 \text{ s}; t_{0.9} = 85 \text{ s}$
Protection tube Ø 3 mm (PA 379)	$t_{0.5} = 1.5 \text{ s}; t_{0.9} = 4 \text{ s}$	$t_{0.5} = 15 \text{ s}; t_{0.9} = 50 \text{ s}$

Interface

Communication interface	IO-Link device V 1.1, downward compatible to V 1.0
Data transfer rate (baud rate)	COM 3 (230.4 kBaud)
Max. cable length	20 m, unshielded
Min. cycle time	2 ms
IO Device Description (IODD)	Depending on the ordered input range; available on the manufacturer's website www.jumo.de or at http://ioddfinder.io-link.com

Electrical data

Voltage supply	
In IO-Link operation	DC 18 to 32 V
In switch operation	DC 9.6 to 32 V
Nominal voltage	DC 24 V
Current consumption	
In idle mode	$\leq 12 \text{ mA}$ (at nominal voltage)
In IO-Link operation	$\leq 20 \text{ mA}$ (at nominal voltage)
In switch operation	$\leq 200 \text{ mA}$ (at nominal voltage) and with 2 switching outputs
Electrical safety	Protection rating III according to DIN EN 61140
Intended use	Temperature measurement in industrial plants

The auxiliary energy of the temperature sensor must meet SELV requirements; optionally, an energy-limited current circuit acc. to 9.3 of DIN EN 61010-1 and UL 61010-1 can be used.

Mechanical features

Materials	
Protection tube	Stainless steel 1.4404 (1.4435 for clamp acc. to DIN 32676)
Process connection	Stainless steel 1.4404 (1.4435 for clamp acc. to DIN 32676)
Housing	Stainless steel
Installation position	Any
Weight ^a	902915/10 with PA 104 and EL = 100 mm: approx. 80 g 902915/30 with PA 104 and EL = 100 mm: approx. 120 g

^a The weight of the temperature sensor depends on the process connection (PA) and the insertion length (EL).

JUMO GmbH & Co. KG
 Delivery address: Mackenrodtstraße 14
 36039 Fulda, Germany
 Postal address: 36035 Fulda, Germany
 Phone: +49 661 6003-0
 Fax: +49 661 6003-607
 Email: mail@jumo.net
 Internet: www.jumo.net

JUMO Instrument Co. Ltd.
 JUMO House
 Temple Bank, Riverway
 Harlow, Essex CM 20 2DY, UK
 Phone: +44 1279 63 55 33
 Fax: +44 1279 62 50 29
 Email: sales@jumo.co.uk
 Internet: www.jumo.co.uk

JUMO Process Control, Inc.
 6733 Myers Road
 East Syracuse, NY 13057, USA
 Phone: +1 315 437 5866
 Fax: +1 315 437 5860
 Email: info.us@jumo.net
 Internet: www.jumousa.com



Environmental influences

Admissible temperatures	
Medium	902915/10: -50 to +150 °C 902915/30: -50 to +260 °C
Ambient temperature ^a	-40 to +85 °C (ambient temperature range of the head)
Storage	-40 to +85 °C
Resistance to climatic conditions	
During operation	≤100 % humidity without condensation on the outer skin of the device
During storage	≤90 % relative humidity without condensation
Climate class	3K7 acc. to DIN EN 60721-3-3
Admissible mechanical load	
Vibration resistance	10 g, at 10 to 500 Hz acc. to DIN EN 60068-2-6
Shock resistance	20 g for 11 ms according to DIN EN 60068-2-27 50 g for 1 ms according to DIN EN 60068-2-27
Process media	Liquid and gaseous media
Protection type	According to DIN EN 60529
With mating connector	IP66/IP67/IP69
Electromagnetic compatibility	According to EN 61326-2-3
Interference emission	Class B ^b
Interference immunity	Industrial requirement

^a Basic type 902915/10: At process temperatures above 120 °C, the maximum admissible ambient temperature is 60 °C (stated at nominal voltage DC 24 V).
 Basic type 902915/30: No restrictions (stated at nominal voltage DC 24 V).

^b The product is suitable for industrial use as well as for households and small businesses.

Process connections

Process connection (PC)	000	103 to 104	379	380	550 to 554	601 to 605
Protection fitting material	1.4404					
Operating temperature in °C ^a	-50 to +260	-50 to +260	-50 to +150	-50 to +260	-50 to +260	-50 to +260
Admissible pressure in bar	-	40	16	16	According to DIN 11864 ^b	According to DIN 11851 ^b
Process connection (PC)	611 to 617	681 to 682	684 to 686	755 to 758	997	
Protection fitting material	1.4435 ^c					
Operating temperature in °C ^a	-50 to +260	-50 to +150	-50 to +260	-10 to +200	-50 to +150	
Admissible pressure in bar	According to DIN 32676 ^b	10	10	16	10	

^a depending on the seal used

^b The approval pressures are designed for an operating temperature range of -10 to +140 °C given use of suitable clamps and sealing materials.

^c According to Basler Norm II

The maximum possible process pressure depends on different influences, e.g. design type, process connection, and process temperature.

JUMO GmbH & Co. KG
 Delivery address: Mackenrodtstraße 14
 36039 Fulda, Germany
 Postal address: 36035 Fulda, Germany
 Phone: +49 661 6003-0
 Fax: +49 661 6003-607
 Email: mail@jumo.net
 Internet: www.jumo.net

JUMO Instrument Co. Ltd.
 JUMO House
 Temple Bank, Riverway
 Harlow, Essex CM 20 2DY, UK
 Phone: +44 1279 63 55 33
 Fax: +44 1279 62 50 29
 Email: sales@jumo.co.uk
 Internet: www.jumo.co.uk

JUMO Process Control, Inc.
 6733 Myers Road
 East Syracuse, NY 13057, USA
 Phone: +1 315 437 5866
 Fax: +1 315 437 5860
 Email: info.us@jumo.net
 Internet: www.jumousa.com



Dimensions

Type 902915/10 and type 902915/30 Without process connection (PA) 000	Type 902915/10 with PA 103-104 (left) Type 902915/30 with PA 103-104 (right)
Type 902915/10 with PA 379	Type 902915/10 with PA 380 (left) Type 902915/30 with PA 380 (right)

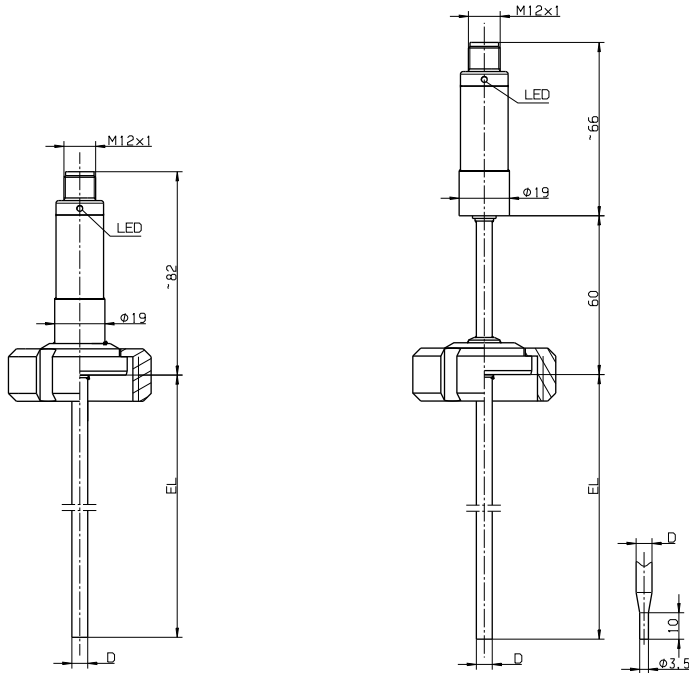
JUMO GmbH & Co. KG
 Delivery address: Mackenrodtstraße 14
 36039 Fulda, Germany
 Postal address: 36035 Fulda, Germany
 Phone: +49 661 6003-0
 Fax: +49 661 6003-607
 Email: mail@jumo.net
 Internet: www.jumo.net

JUMO Instrument Co. Ltd.
 JUMO House
 Temple Bank, Riverway
 Harlow, Essex CM 20 2DY, UK
 Phone: +44 1279 63 55 33
 Fax: +44 1279 62 50 29
 Email: sales@jumo.co.uk
 Internet: www.jumo.co.uk

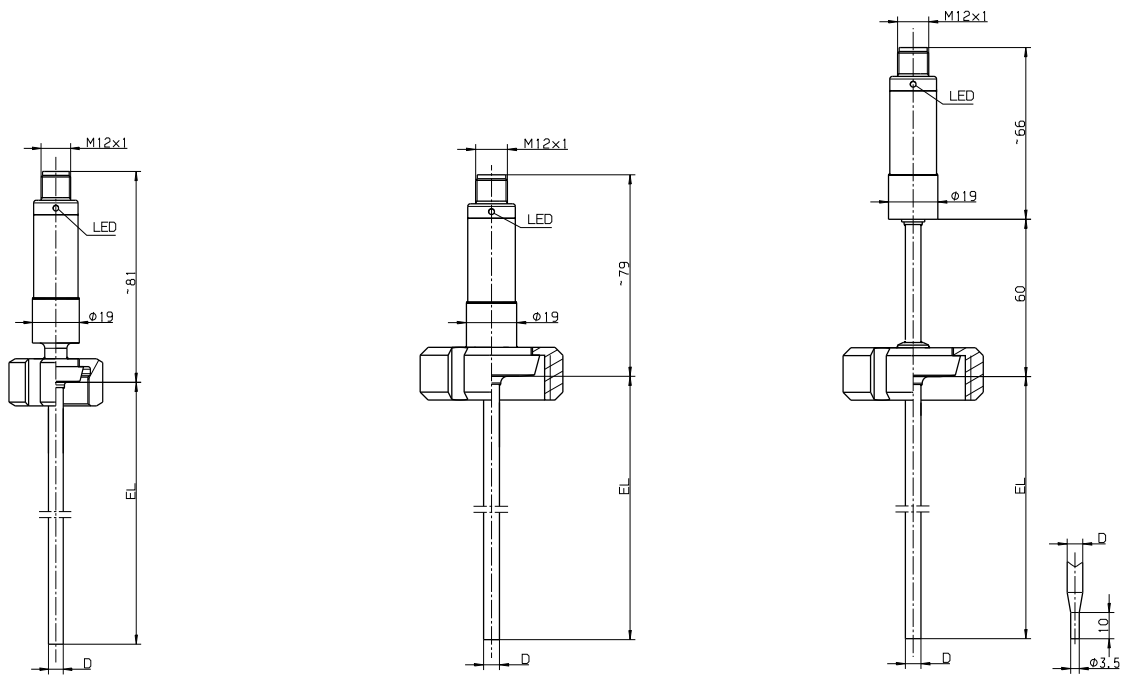
JUMO Process Control, Inc.
 6733 Myers Road
 East Syracuse, NY 13057, USA
 Phone: +1 315 437 5866
 Fax: +1 315 437 5860
 Email: info.us@jumo.net
 Internet: www.jumousa.com



Type 902915/10 with PA 550-554 (left)
 Type 902915/30 with PA 550-554 (right)



Type 902915/10 with PA 601 (left)
 Type 902915/10 with PA 604-605 (center)
 Type 902915/30 with PA 601-605 (right)



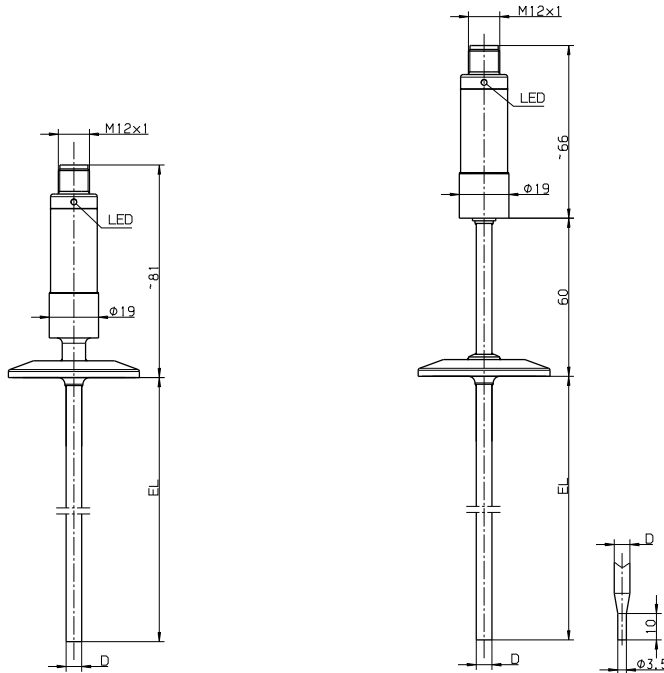
JUMO GmbH & Co. KG
 Delivery address: Mackenrodtstraße 14
 36039 Fulda, Germany
 Postal address: 36035 Fulda, Germany
 Phone: +49 661 6003-0
 Fax: +49 661 6003-607
 Email: mail@jumo.net
 Internet: www.jumo.net

JUMO Instrument Co. Ltd.
 JUMO House
 Temple Bank, Riverway
 Harlow, Essex CM 20 2DY, UK
 Phone: +44 1279 63 55 33
 Fax: +44 1279 62 50 29
 Email: sales@jumo.co.uk
 Internet: www.jumo.co.uk

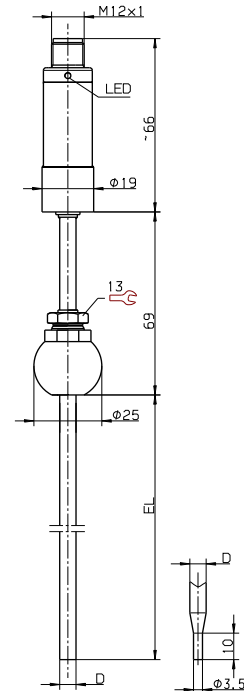
JUMO Process Control, Inc.
 6733 Myers Road
 East Syracuse, NY 13057, USA
 Phone: +1 315 437 5866
 Fax: +1 315 437 5860
 Email: info.us@jumo.net
 Internet: www.jumousa.com



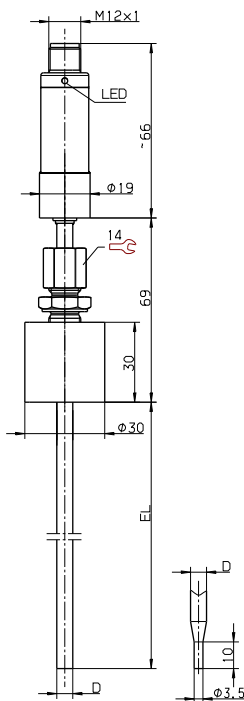
Type 902915/10 with PA 611-617 (left)
 Type 902915/30 with PA 611-617 (right)



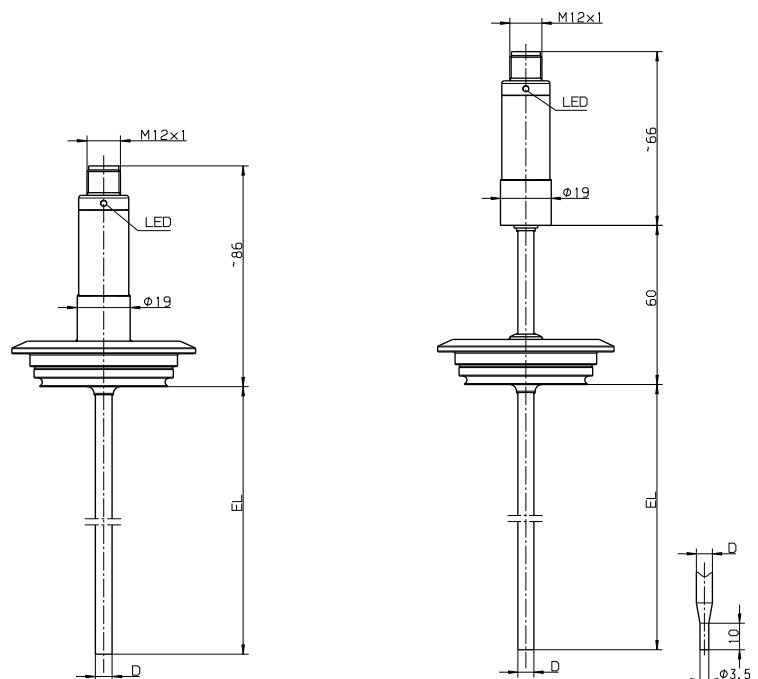
Type 902915/10 with PA 681



Type 902915/10 with PA 682



Type 902915/10 with PA 684-686 (left)
 Type 902915/30 with PA 684-686 (right)



JUMO GmbH & Co. KG
 Delivery address: Mackenrodtstraße 14
 36039 Fulda, Germany
 Postal address: 36035 Fulda, Germany
 Phone: +49 661 6003-0
 Fax: +49 661 6003-607
 Email: mail@jumo.net
 Internet: www.jumo.net

JUMO Instrument Co. Ltd.
 JUMO House
 Temple Bank, Riverway
 Harlow, Essex CM 20 2DY, UK
 Phone: +44 1279 63 55 33
 Fax: +44 1279 62 50 29
 Email: sales@jumo.co.uk
 Internet: www.jumo.co.uk

JUMO Process Control, Inc.
 6733 Myers Road
 East Syracuse, NY 13057, USA
 Phone: +1 315 437 5866
 Fax: +1 315 437 5860
 Email: info.us@jumo.net
 Internet: www.jumousa.com



Type 902915/10 with PA 755-758 (left) Type 902915/30 with PA 755-758 (right)	Type 902915/30 with PA 997

Welding sockets

The following welding sockets are available as accessories:

Welding socket G 1/2 Suitable for PA 380	Welding socket with collar M12 × 1.5 Suitable for PA 379	Welding socket M12 × 1.5 Suitable for PA 379

JUMO GmbH & Co. KG
 Delivery address: Mackenrodtstraße 14
 36039 Fulda, Germany
 Postal address: 36035 Fulda, Germany
 Phone: +49 661 6003-0
 Fax: +49 661 6003-607
 Email: mail@jumo.net
 Internet: www.jumo.net

JUMO Instrument Co. Ltd.
 JUMO House
 Temple Bank, Riverway
 Harlow, Essex CM 20 2DY, UK
 Phone: +44 1279 63 55 33
 Fax: +44 1279 62 50 29
 Email: sales@jumo.co.uk
 Internet: www.jumo.co.uk

JUMO Process Control, Inc.
 6733 Myers Road
 East Syracuse, NY 13057, USA
 Phone: +1 315 437 5866
 Fax: +1 315 437 5860
 Email: info.us@jumo.net
 Internet: www.jumousa.com



Connection diagram

The connection diagram in the data sheet provides preliminary information about the connection options. For the electrical connection, only use the installation instructions or the operating manual. The knowledge and the correct technical compliance with the safety information and warnings contained in these documents are mandatory for mounting, electrical connection, and startup as well as for safety during operation.

Connection	Terminal assignment	
	Round plug M12 × 1 (A-coded, non-rotating)	
Switch operation		
Voltage supply ^a DC 9.6 to 32 V	1 BN (brown) ^b 3 BU (blue)	L+ L-
Switching output 1	4 BK (black)	C/Q = OUT1
Switching output 2	2 WH (white)	I/Q = OUT2
IO-Link operation		
Voltage supply ^a DC 18 to 32 V	1 BN (brown) 3 BU (blue)	L+ L-
IO-Link	4 BK (black)	C/Q = IO-Link
Switching output 2	2 WH (white)	I/Q = OUT2
Potential equalization		
Functional bonding conductor FB ^c		

^a The auxiliary energy of the pressure sensor must meet SELV requirements; optionally, an energy-limited current circuit according to section 9.3 of DIN EN 61010-1 and UL 61010-1 can be used.

^b The colour coding is only valid for A-coded standard cables!

^c The temperature sensor must be connected to the potential equalization system of the plant via the process connection.

JUMO GmbH & Co. KG
 Delivery address: Mackenrodtstraße 14
 36039 Fulda, Germany
 Postal address: 36035 Fulda, Germany
 Phone: +49 661 6003-0
 Fax: +49 661 6003-607
 Email: mail@jumo.net
 Internet: www.jumo.net

JUMO Instrument Co. Ltd.
 JUMO House
 Temple Bank, Riverway
 Harlow, Essex CM 20 2DY, UK
 Phone: +44 1279 63 55 33
 Fax: +44 1279 62 50 29
 Email: sales@jumo.co.uk
 Internet: www.jumo.co.uk

JUMO Process Control, Inc.
 6733 Myers Road
 East Syracuse, NY 13057, USA
 Phone: +1 315 437 5866
 Fax: +1 315 437 5860
 Email: info.us@jumo.net
 Internet: www.jumousa.com



Connection examples

IO-Link operation with 1 switching output	Switch operation with 2 switching outputs
<p>p switching (PNP)</p>	<p>p switching (PNP)</p>
<p>n switching (NPN)</p>	<p>n switching (NPN)</p>

JUMO GmbH & Co. KG

Delivery address: Mackenrodtstraße 14
36039 Fulda, Germany
Postal address: 36035 Fulda, Germany
Phone: +49 661 6003-0
Fax: +49 661 6003-607
Email: mail@jumo.net
Internet: www.jumo.net

JUMO Instrument Co. Ltd.

JUMO House
Temple Bank, Riverway
Harlow, Essex CM 20 2DY, UK
Phone: +44 1279 63 55 33
Fax: +44 1279 62 50 29
Email: sales@jumo.co.uk
Internet: www.jumo.co.uk

JUMO Process Control, Inc.

6733 Myers Road
East Syracuse, NY 13057, USA
Phone: +1 315 437 5866
Fax: +1 315 437 5860
Email: info.us@jumo.net
Internet: www.jumousa.com



Order details

	(1) Basic type
902915	JUMO dTRANS T1000 – Temperature sensor with IO-Link
	(2) Basic type extension
10	IO-Link interface, M12 × 1 connector
30	IO-Link interface, M12 × 1 connector, high-temperature
	(3) Operating temperature in °C
370	-50 to +150 °C
386	-50 to +260 °C
	(4) Measuring insert
1013	1 × Pt1000 in 4-wire circuit
	(5) Tolerance class of RTD temperature probe according to DIN EN 60751
2	Class A
3	Class AA
	(6) Protection tube diameter D in mm
3	3 mm ^a
6	6 mm
	(7) Insertion length
15	15 mm ^a
20	20 mm ^a
25	25 mm ^a
50	50 mm
100	100 mm
150	150 mm
	(8) Process connection (PC)
000	None
103	Screw connection G 3/8
104	Screw connection G 1/2
379	Screw connection M12 x 1.5 with CIP-compliant conical seal
380	Screw connection G 1/2 with CIP-compliant conical seal
550	Aseptic screw connection DN 20 DIN 11864-1 Form A
551	Aseptic screw connection DN 25 DIN 11864-1 Form A
552	Aseptic screw connection DN 32 DIN 11864-1 Form A
553	Aseptic screw connection DN 40 DIN 11864-1 Form A
554	Aseptic screw connection DN 50 DIN 11864-1 Form A
601	Taper socket with union nut DN 10 DIN 11851 (dairy pipe fitting)
604	Taper socket with union nut DN 25 DIN 11851 (dairy pipe fitting)
605	Taper socket with union nut DN 32 DIN 11851 (dairy pipe fitting)
611	Clamping socket (clamp) DN 10/20 DIN 32676
613	Clamping socket (clamp) DN 25/40 DIN 32676
616	Clamping socket (clamp) DN 50 DIN 32676 (2" ISO 2852)
617	Clamping socket (clamp) 2 1/2" similar to DIN 32676
681	Ball welding socket with threaded fitting
682	Welding socket with CIP-compliant conical seal
684	VARIVENT® connection DN 15/10
685	VARIVENT® connection DN 32/25
686	VARIVENT® connection DN 50/40
755	BioControl® D25
756	BioControl® D50
757	BioControl® D65

JUMO GmbH & Co. KG
 Delivery address: Mackenrodtstraße 14
 36039 Fulda, Germany
 Postal address: 36035 Fulda, Germany
 Phone: +49 661 6003-0
 Fax: +49 661 6003-607
 Email: mail@jumo.net
 Internet: www.jumo.net

JUMO Instrument Co. Ltd.
 JUMO House
 Temple Bank, Riverway
 Harlow, Essex CM 20 2DY, UK
 Phone: +44 1279 63 55 33
 Fax: +44 1279 62 50 29
 Email: sales@jumo.co.uk
 Internet: www.jumo.co.uk

JUMO Process Control, Inc.
 6733 Myers Road
 East Syracuse, NY 13057, USA
 Phone: +1 315 437 5866
 Fax: +1 315 437 5860
 Email: info.us@jumo.net
 Internet: www.jumousa.com



758	BioControl® D80
997	JUMO PEKA hygienic process connection
(9) Protection tube material	
24	Stainless steel 316L (material no. 1.4404/1.4435)
(10) Extra code	
000	None
100	Customer-specific configuration (specifications in plain text)
310	Protection tube offset ^b
374	Inspection certificate 3.1 DIN EN 10204 (material)
452	Wetted, electrolytically polished parts, surface roughness $R_a \leq 0.8 \mu\text{m}$
458	Surface roughness $R_a \leq 0.4 \mu\text{m}$ for clamping socket (clamp) (area touching medium)
774	DAkkS(DKD) calibration (standard, test points 0, 100 and 200 °C)
775	DAkkS(DKD) calibration (service, please state desired test points in plain text)
974	DAkkS(DKD) adjustment with calibration report (standard, test points 0, 100 and 200 °C)
975	DAkkS(DKD) adjustment with calibration report (service, please state desired test points in plain text)

^a Only with screw connection M12 x 1.5 with CIP-compliant conical seal (process connection 379)

^b Not for screw connection M12 x 1.5 with CIP-compliant conical seal (process connection 379)

	(1)	(2)	(3)	(4)	(5)	(6)	(7)	(8)	(9)	(10)									
Order code	<input type="text"/>	/	<input type="text"/>	-	<input type="text"/>	-	<input type="text"/>	-	<input type="text"/>	-	<input type="text"/>	/	<input type="text"/>						
Order example	902915	/	10	-	370	-	1013	-	2	-	3	-	15	-	379	-	24	/	452

Scope of delivery

Designation
1 temperature sensor in the ordered version
1 installation instructions

Stock versions

Order code	Part no.
902915/10-370-1013-2-6-50-104-24/000	00661665
902915/10-370-1013-2-6-100-104-24/000	00676722

Accessories

Designation	Part no.
IO-Link master upon request.	
Device data (IODD) at www.jumo.de or at http://ioddfinder.io-link.com	
Welding socket ^a G 1/2 for process connection 380	00378264
Welding socket with collar ^a M12 x 1.5 for process connection 379	00614228
Welding socket ^a M12 x 1.5 for process connection 379	00655051

^a Welding sockets made of material 1.4404, parts touching the media electrolytically polished, surface roughness $R_a \leq 0.4 \mu\text{m}$